

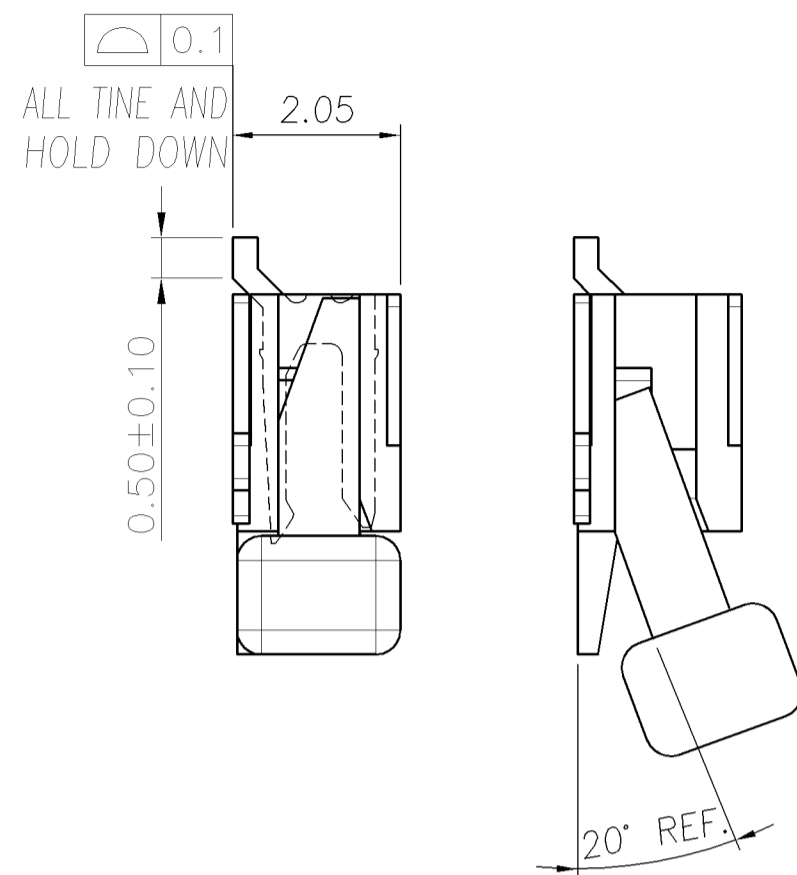
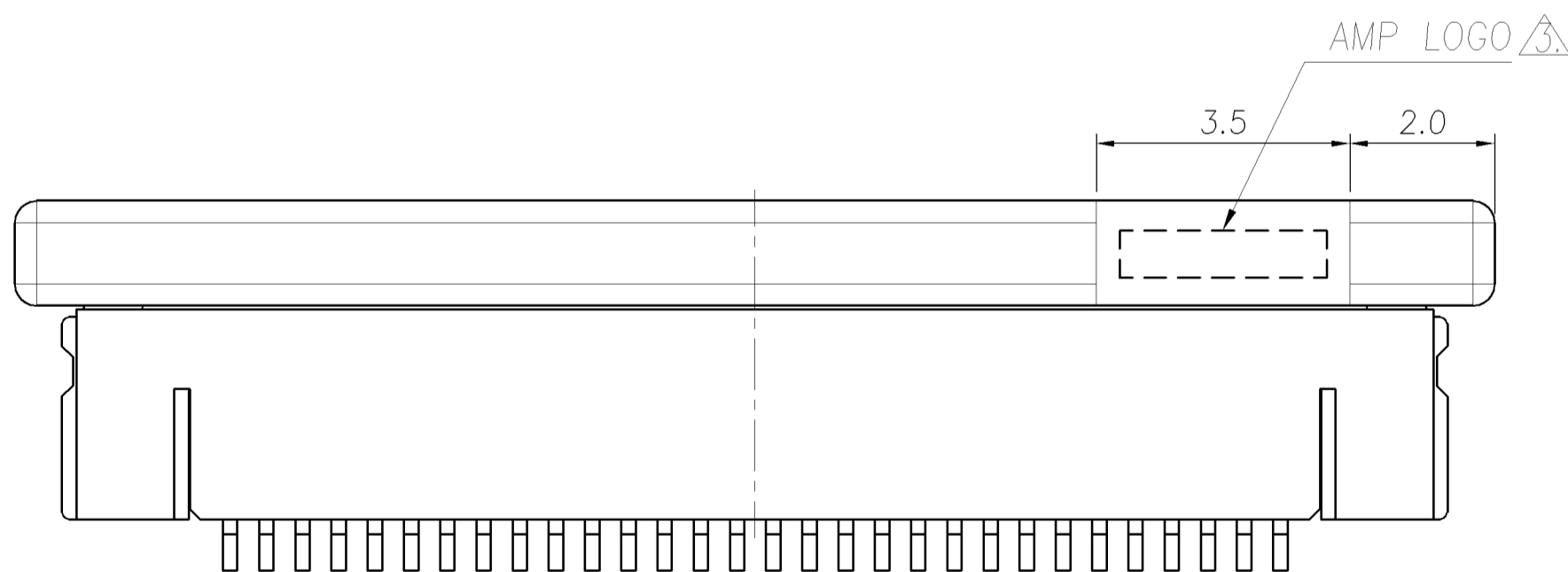
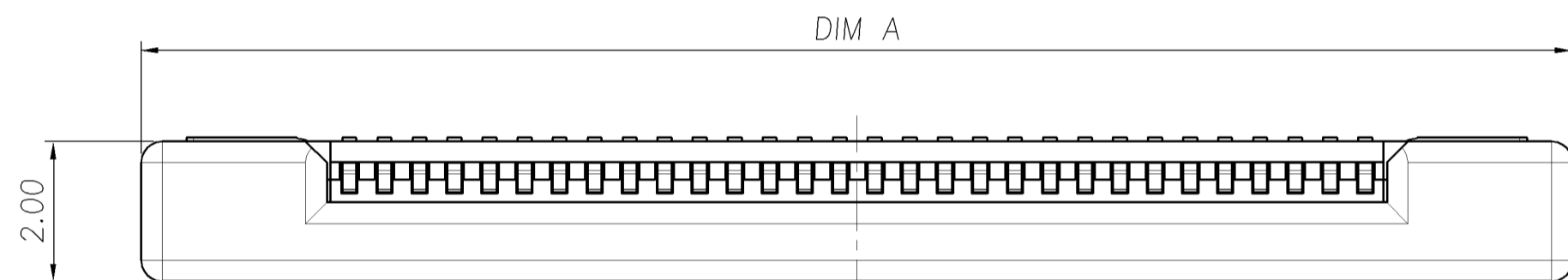
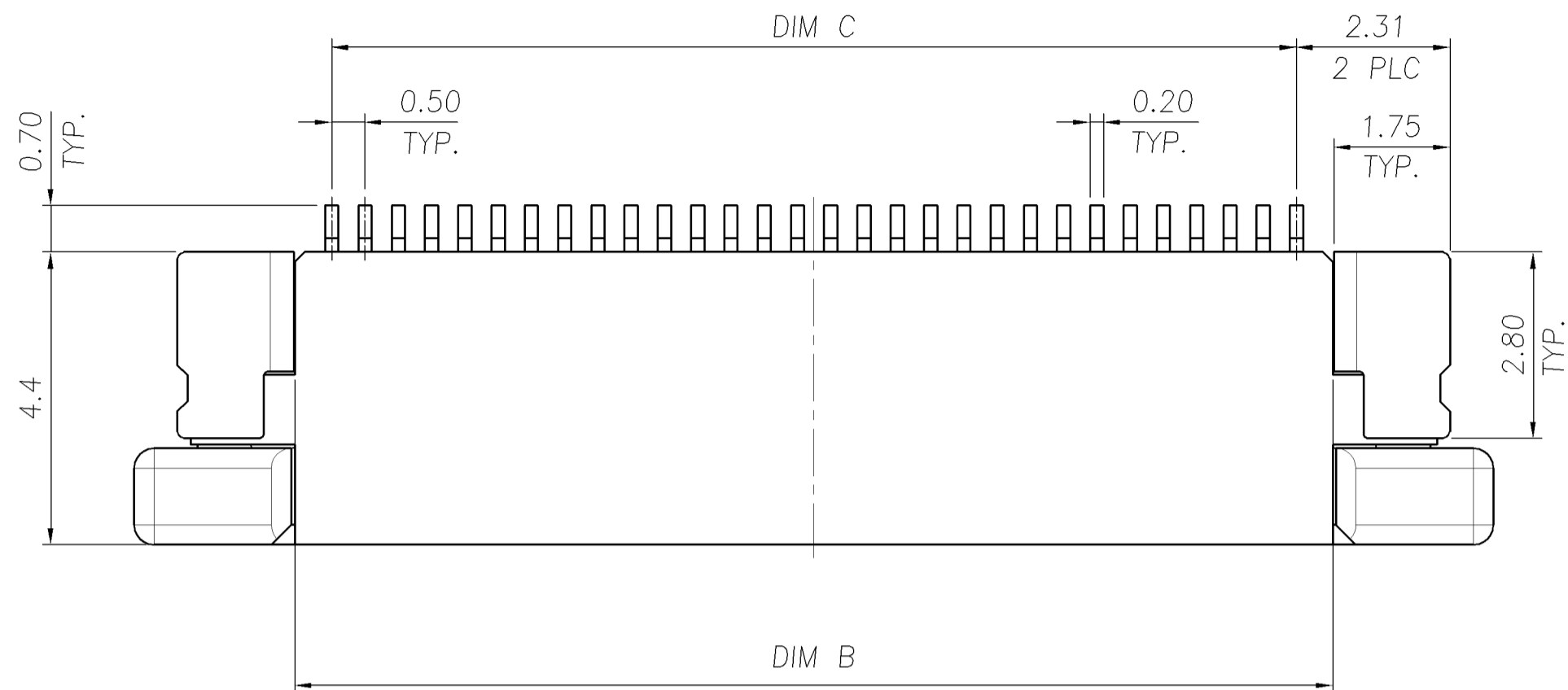
NUMBER
C-1734592

3RD ANGLE PROJECTION

METRIC

THIS INFORMATION IS CONFIDENTIAL AND IS DISCLOSED TO YOU ON CONDITION THAT NO FURTHER DISCLOSURE IS MADE BY YOU TO OTHER THAN AMP PERSONNEL WITHOUT WRITTEN AUTHORIZATION FROM AMP (TAIWAN) LTD. DIMENSIONS IN MILLIMETERS. DO NOT SCALE PRINT.

PRINT
DW



NOTE:

- MATERIAL:
HOUSING: THERMOPLASTIC(LCP),
UL 94V-0, COLOR: NATURE.
ACTUATOR: THERMOPLASTIC, UL 94 V-0,
COLOR: IVORY.
HOLD DOWN: PHOSPHOR BRONZE.
CONTACT: PHOSPHOR BRONZE.
- FINISH:
CONTACT: GOLD FLASH OVER ALL,
50u" MIN. NICKEL UNDERPLATED ALL OVER.
HOLD DOWN: 80u" MIN. BRIGHT TIN PLATING OVER,
50u" MIN. NICKEL UNDERPLATED ALL OVER.
WITHOUT AMP LOGO FOR 12 POSITION UNDER

24.50	25.10	29.93	49	4-1734592-9
23.50	24.60	29.43	48	4-1734592-8
23.00	24.10	28.93	47	4-1734592-7
22.50	23.60	28.43	46	4-1734592-6
22.00	23.10	27.63	45	4-1734592-5
21.50	22.60	27.43	44	4-1734592-4
21.00	22.10	26.93	43	4-1734592-3
20.50	21.60	26.43	42	4-1734592-2
20.00	21.10	25.93	41	4-1734592-1
19.50	20.60	25.43	40	4-1734592-0
19.00	20.10	24.93	39	3-1734592-9
18.50	19.60	24.43	38	3-1734592-8
18.00	19.10	23.93	37	3-1734592-7
17.50	18.60	23.43	36	3-1734592-6
17.00	18.10	22.93	35	3-1734592-5
16.50	17.60	22.43	34	3-1734592-4
16.00	17.10	21.93	33	3-1734592-3
15.50	16.60	21.43	32	3-1734592-2
15.00	16.10	20.93	31	3-1734592-1
14.50	15.60	20.43	30	3-1734592-0
14.00	15.10	19.93	29	2-1734592-9
13.50	14.60	19.43	28	2-1734592-8
13.00	14.10	18.93	27	2-1734592-7
12.50	13.60	18.43	26	2-1734592-6
12.00	13.10	17.93	25	2-1734592-5
11.50	12.60	17.43	24	2-1734592-4
11.00	12.10	16.93	23	2-1734592-3
10.50	11.60	16.43	22	2-1734592-2
10.00	11.10	15.93	21	2-1734592-1
9.50	10.60	15.43	20	2-1734592-0
9.00	10.10	14.93	19	1-1734592-9
8.50	9.60	14.43	18	1-1734592-8
8.00	9.10	13.93	17	1-1734592-7
7.50	8.60	13.43	16	1-1734592-6
7.00	8.10	12.93	15	1-1734592-5
6.50	7.60	12.43	14	1-1734592-4
6.00	7.10	11.93	13	1-1734592-3
5.50	6.60	11.43	12	1-1734592-2
5.00	6.10	10.93	11	1-1734592-1
4.50	5.60	10.43	10	1-1734592-0
4.00	5.10	9.93	09	0-1734592-9
3.50	4.60	9.43	08	0-1734592-8
3.00	4.10	8.93	07	0-1734592-7
2.50	3.60	8.43	06	0-1734592-6
2.00	3.10	7.93	05	0-1734592-5

C	B	A	POS.	PART NUMBER
DIMENSIONS				

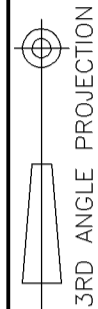
TOLERANCES UNLESS OTHERWISE SPECIFIED: 0 PLC ±0.1 1 PLC ±0.1 2 PLC ±0.1 3 PLC ±0.1 ANGLES ±1'		DWN H. HUANG 11-AUG-2006	TYCO HOLDINGS (BERMUDA) VII LTD. TAIWAN BRANCH	
MATERIAL SEE NOTE		CHK S. HOU 11-AUG-2006	NAME FPC CONNECTOR, 0.5mm PITCH, BOTTOM CONTACT, SMT TYPE.	
FINISH SEE NOTE		APVD W.J. KE 11-AUG-2006	LOC DW	REV A1
LTR REVISION RECORD ECN		PRODUCT SPEC 108-57523	SIZE A ₃	DRAWING NO C-1734592
DWN CHK DATE		QUALIFICATION TEST REPORT 501-57598	SCALE --	SHEET 1 OF 3

A1	REVISED	ECR-06-019217	HH SH	11AUG 2006
A	REVISED	ECR-06-004358	SH WK	04MAY 2006
O	RELEASED	FZ00-0256-04	QL SH	16NOV 2004
LTR	REVISION RECORD	ECN	DWN CHK	DATE

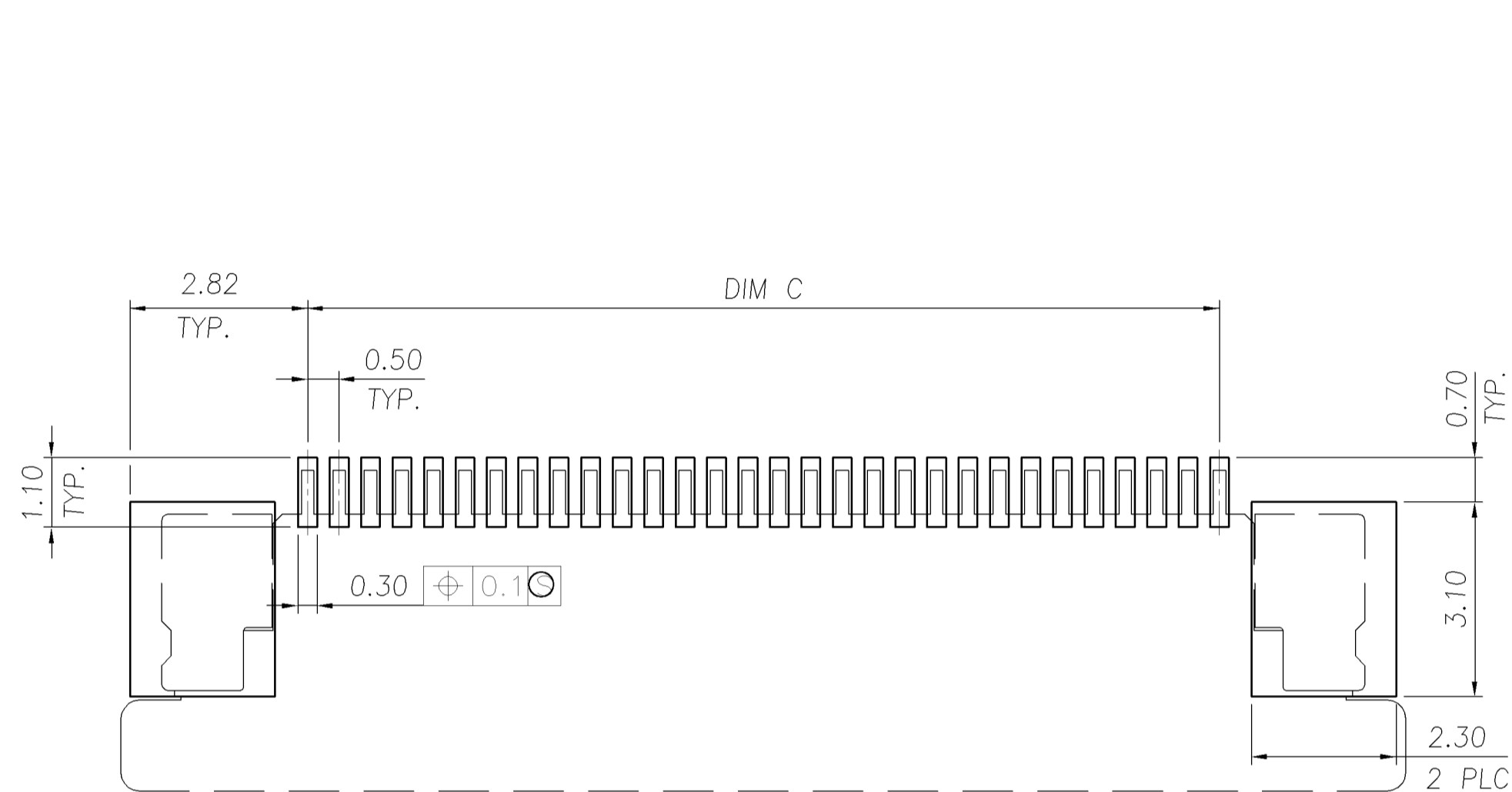
THIS INFORMATION IS CONFIDENTIAL AND IS DISCLOSED TO YOU ON CONDITION THAT NO FURTHER DISCLOSURE IS MADE BY YOU TO OTHER THAN AMP PERSONNEL WITHOUT WRITTEN AUTHORIZATION FROM AMP (TAIWAN) LTD. DIMENSIONS IN MILLIMETERS. DO NOT SCALE PRINT.

PRINT DIST
DW

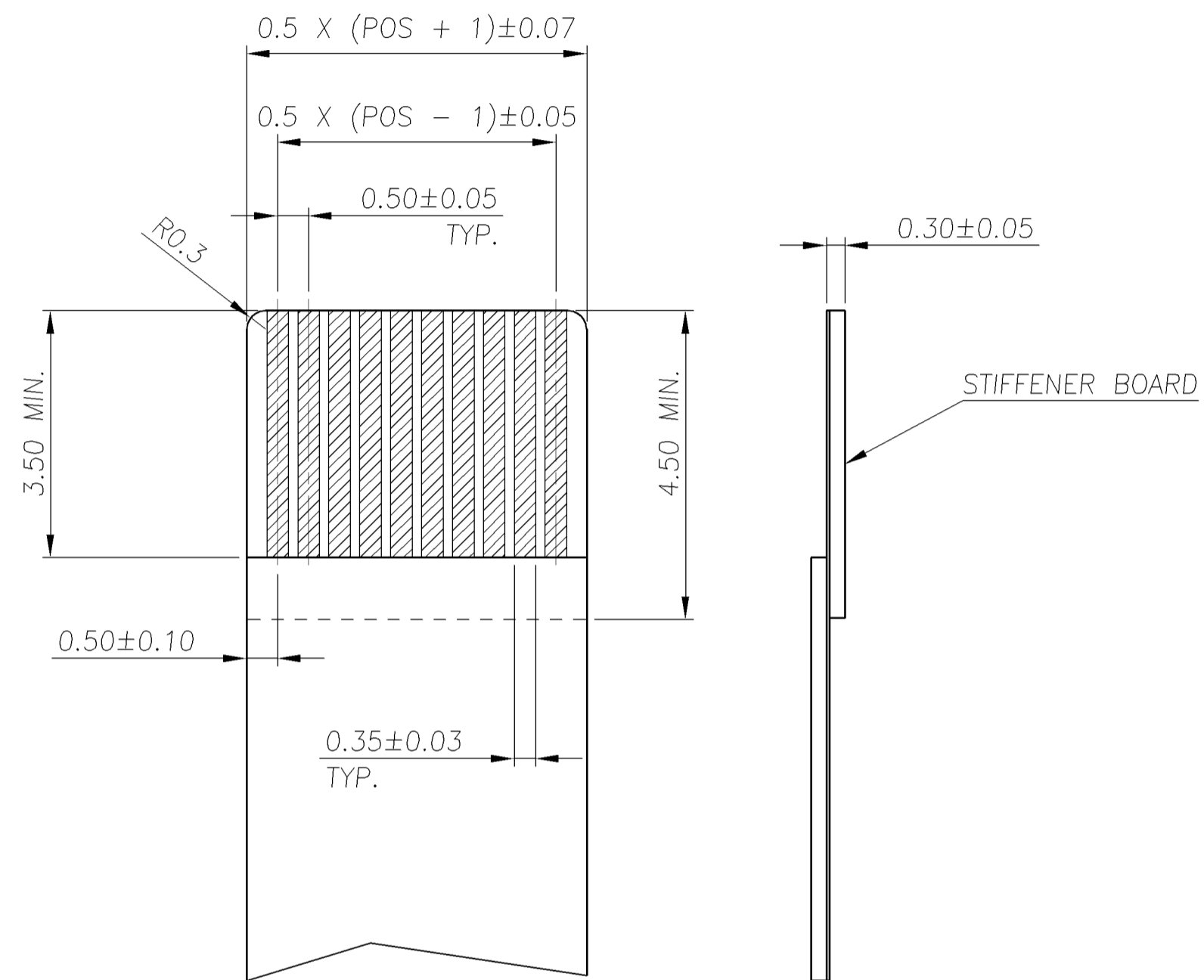
METRIC



NUMBER
C-1734592



RECOMMENDED PCB DIMENSIONS DIAGRAM



RECOMMENDED FPC DIMENSIONS DIAGRAM

TOLERANCES UNLESS OTHERWISE SPECIFIED: 0 PLC ±0.1 1 PLC ±0.1 2 PLC ±0.1 3 PLC ±0.1 ANGLES ±1'		DWN H. HUANG 11-AUG-2006	 TYCO HOLDINGS (BERMUDA) VII LTD. TAIWAN BRANCH
MATERIAL		CHK S. HOU 11-AUG-2006	
FINISH		APVD W.J. KE 11-AUG-2006	FPC CONNECTOR, 0.5mm PITCH, BOTTOM CONTACT, SMT TYPE.
WEIGHT		PRODUCT SPEC	
LTR		APPLICATION SPEC	LOC DW
REVISION RECORD		SCALE	SIZE C-1734592
ECN		DRAWING NO	
DWN		REV A1	
CHK		SHEET 2 OF 3	
DATE		CUSTOMER DRAWING	

SEE SHEET 1.				
LTR	REVISION RECORD	ECN	DWN	CHK
				DATE

8

7

6

5

4

3

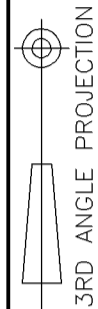
2

1

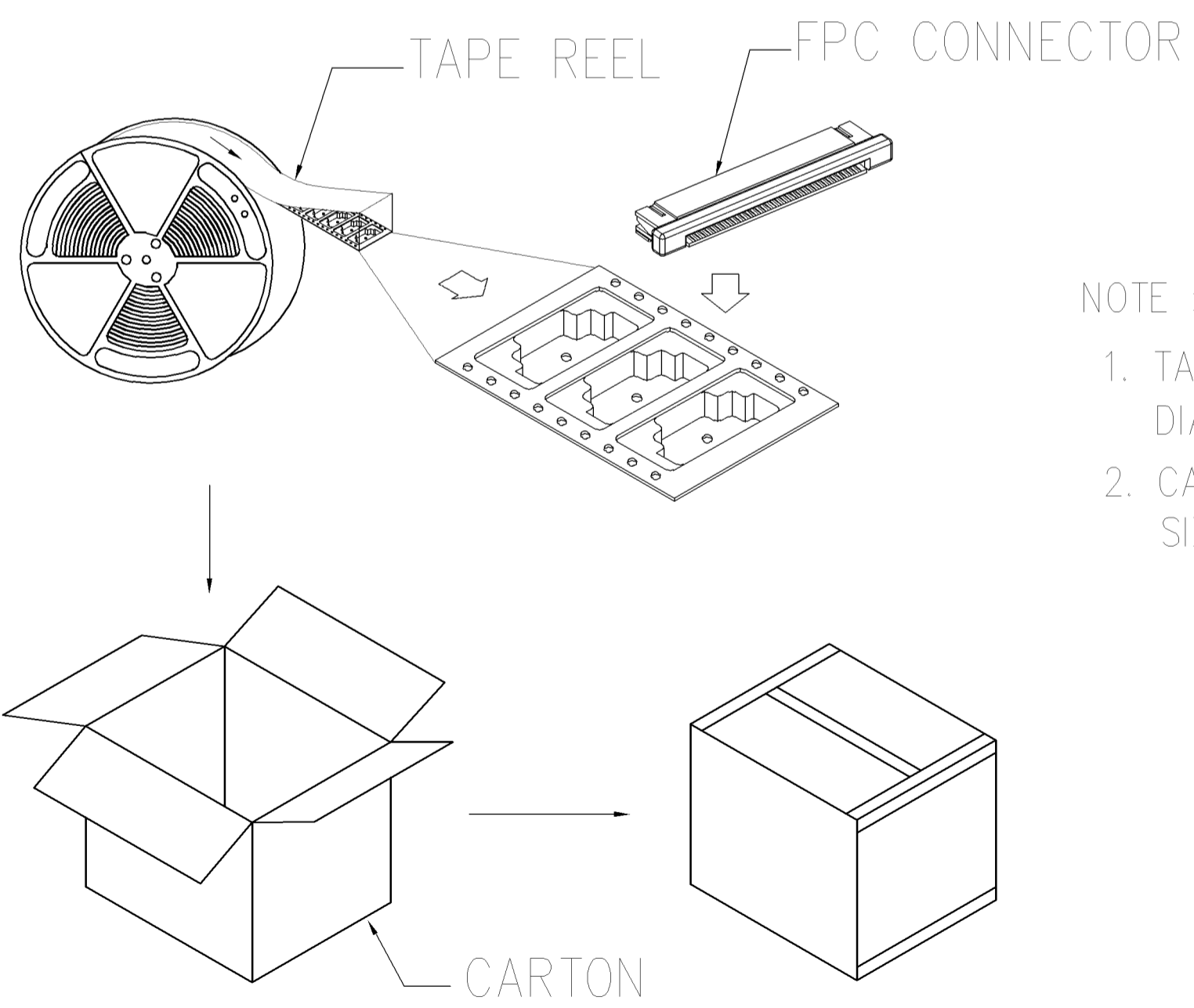
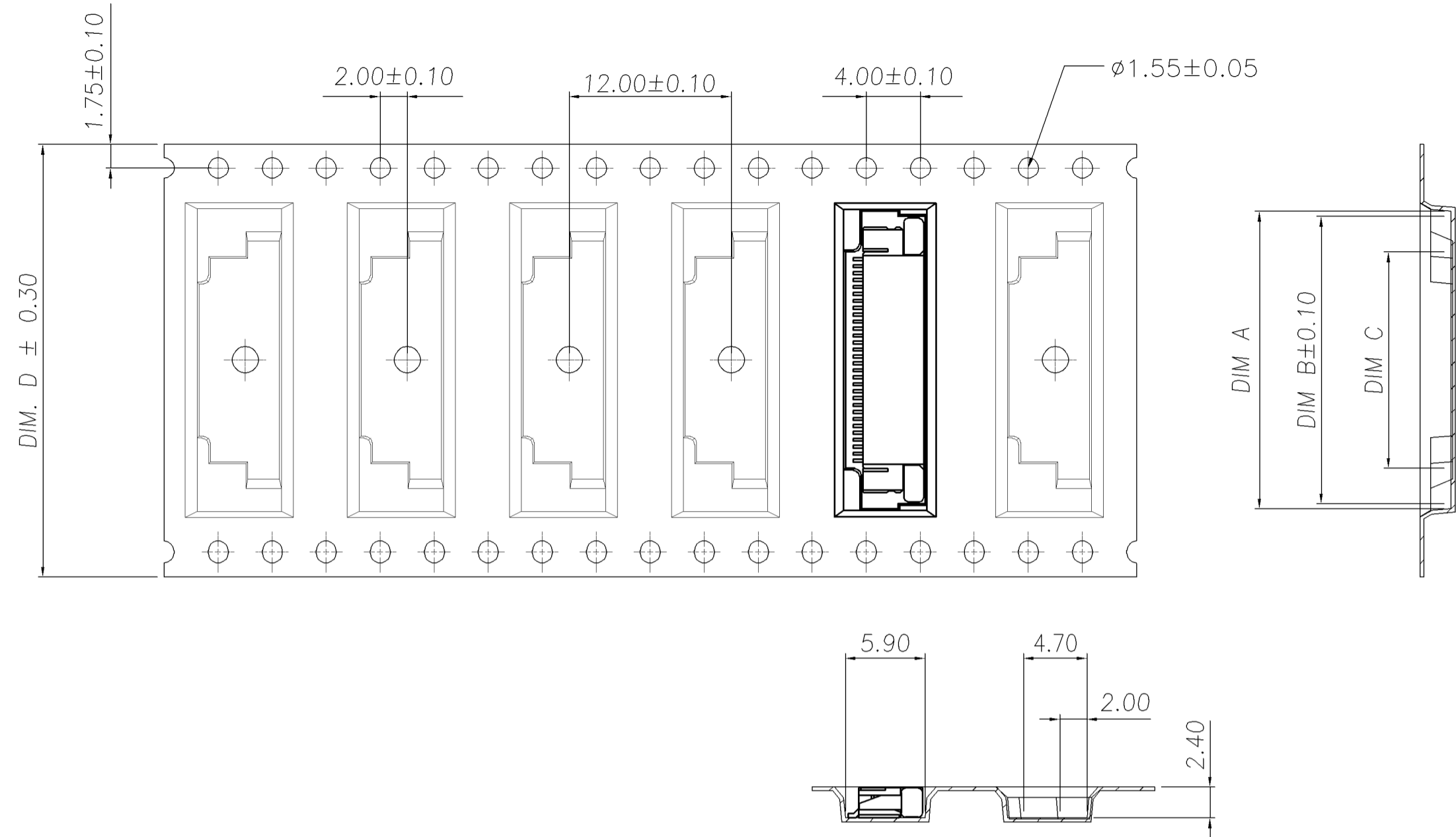
CUSTOMER DRAWING

THIS INFORMATION IS CONFIDENTIAL AND IS DISCLOSED TO YOU ON CONDITION THAT NO FURTHER DISCLOSURE IS MADE BY YOU TO OTHER THAN AMP PERSONNEL WITHOUT WRITTEN AUTHORIZATION FROM AMP (TAIWAN) LTD. DIMENSIONS IN MILLIMETERS. DO NOT SCALE PRINT.

METRIC



NUMBER
C-1734592



NOTE :

- TAPE REEL:
DIAMETER: 13", THICKNESS : 0.35±0.05mm.
- CARTON:
SIZE: 350mm(L)X 350mm(W)X 340mm(H).

12000	2000	44.00	25.50	30.75	31.50	50
		44.00	25.00	30.25	31.00	49
		44.00	24.50	29.75	30.50	48
		44.00	24.00	29.25	30.00	47
		44.00	23.50	28.75	29.50	46
		44.00	23.00	28.25	29.00	45
		44.00	22.50	27.75	28.50	44
		44.00	22.00	27.25	28.00	43
		44.00	21.50	26.75	27.50	42
		44.00	21.00	26.25	27.00	41
		44.00	20.50	25.75	26.50	40
		44.00	20.00	25.25	26.00	39
16000	2000	44.00	19.50	24.75	25.50	38
		44.00	19.00	24.25	25.00	37
		44.00	18.50	23.75	24.50	36
		44.00	18.00	23.25	24.00	35
		44.00	17.50	22.75	23.50	34
		44.00	17.00	22.25	23.00	33
		44.00	16.50	21.75	22.50	32
		32.00	16.00	21.25	22.00	31
		32.00	15.50	20.75	21.50	30
		32.00	15.00	20.25	21.00	29
		32.00	14.50	19.75	20.50	28
		32.00	14.00	19.25	20.00	27
20000	2000	32.00	13.50	18.75	19.50	26
		32.00	13.00	18.25	19.00	25
		32.00	12.50	17.75	18.50	24
		32.00	12.00	17.25	18.00	23
		32.00	11.50	16.75	17.50	22
		24.00	11.00	16.25	17.00	21
		24.00	10.50	15.75	16.50	20
		24.00	10.00	15.25	16.00	19
		24.00	9.50	14.75	15.50	18
		24.00	9.00	14.25	15.00	17
		24.00	8.50	13.75	14.50	16
		24.00	8.00	13.25	14.00	15
24000	2000	24.00	7.50	12.75	13.50	14
		24.00	7.00	12.25	13.00	13
		24.00	6.50	11.75	12.50	12
		24.00	6.00	11.25	12.00	11
		24.00	5.50	10.75	11.50	10
		24.00	5.00	10.25	11.00	09
		24.00	4.50	9.75	10.50	08
		24.00	4.00	9.25	10.00	07
		16.00	3.00	8.25	9.00	05
APQ (PCS/CARTON)	PPQ (PCS/REEL)	D	C	B	A	POS.
DIMENSIONS						

TOLERANCES UNLESS OTHERWISE SPECIFIED:		DWN	H. HUANG			
0 PLC	±0.1	CHK	11-AUG-2006			
1 PLC	±0.1		S. HOU			
2 PLC	±0.1		11-AUG-2006			
3 PLC	±0.1		W.J. KE			
ANGLES	±1'		11-AUG-2006			
MATERIAL	SEE NOTE	APVD	FPC CONNECTOR, 0.5mm PITCH, BOTTOM CONTACT, SMT TYPE.			
FINISH	SEE NOTE	PRODUCT SPEC	TYCO HOLDINGS (BERMUDA) VII LTD. TAIWAN BRANCH			
		APPLICATION SPEC	LOC	SIZE	DRAWING NO	REV
		WEIGHT	DW		C-1734592	A1
			SCALE	SHEET		
			--	3 OF 3		

LTR	REVISION RECORD	ECN	DWN	CHK	DATE
	SEE SHEET 1.				